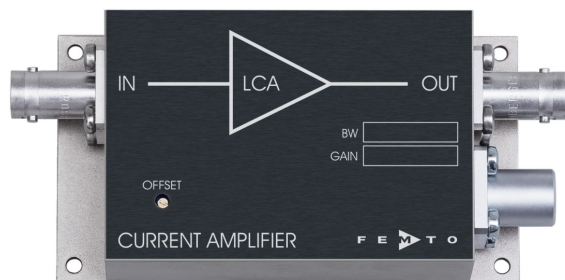


## Ultra-Low-Noise Current Amplifier



<p>Features</p>	<ul style="list-style-type: none"> <li>• <b>Bandwidth and Frequency Response Independent of Detector-Capacitance (up to 10 nF)</b></li> <li>• <b>Extremely Low Noise, 1.5 fA/√Hz Equivalent Input Noise Current</b></li> <li>• <b>Bandwidth DC ... 200 Hz</b></li> <li>• <b>Transimpedance (Gain) 1 x 10<sup>11</sup> V/A</b></li> </ul>																									
<p>Applications</p>	<ul style="list-style-type: none"> <li>• <b>Photodiode- and Photomultiplier-Amplifier</b></li> <li>• <b>Spectroscopy</b></li> <li>• <b>Charge-Amplifier</b></li> <li>• <b>Ionisation Detectors</b></li> <li>• <b>Preamplifier for Lock-Ins, A/D-Converters, etc.</b></li> </ul>																									
<p>Specifications</p>	<table border="0"> <tr> <td>Test Conditions</td> <td colspan="2">Vs = ± 15 V, Ta = 25°C Warm-up 20 minutes (min. 10 minutes recommended)</td> </tr> <tr> <td>Gain</td> <td>Transimpedance Accuracy</td> <td>1 x 10<sup>11</sup> V/A (&gt;10 kΩ Load) ± 1%</td> </tr> <tr> <td>Frequency Response</td> <td>Lower Cut-Off Frequency Upper Cut-Off Frequency Rise- / Fall-Time Gain Flatness</td> <td>DC 200 Hz (- 3 dB) 2 ms (10% - 90%) ± 0.1 dB</td> </tr> <tr> <td>Input</td> <td>Equ. Input Noise Current Equ. Input Noise Voltage Input Bias Current Input Bias Current Drift Offset Current Compensation Max. Input Current Input Offset Voltage DC Input Impedance</td> <td>1.5 fA/√Hz (@ 10 Hz) 90 nV/√Hz (@ 10 Hz) 20 fA typ. / 30 fA max. Factor 2 / 10 K ± 30 pA, Adjustable by Offset-Trimpot ± 100 pA (Linear Amplification) &lt; 0.5 mV 1 kΩ (Virtual) // 5 pF</td> </tr> <tr> <td>Output</td> <td>Output Voltage Output Impedance Max. Output Current</td> <td>± 10 V (&gt;10 kΩ Load) 50 Ω (Terminate with &gt;10 kΩ for best Performance) ± 10 mA (Linear Amplification)</td> </tr> <tr> <td>Power Supply</td> <td>Supply Voltage Supply Current</td> <td>± 15 V ± 15 mA typ.</td> </tr> <tr> <td>Case</td> <td>Weight Material</td> <td>210 gr. (0.5 lbs) AlMg4.5Mn, nickel-plated</td> </tr> <tr> <td>Temperature Range</td> <td>Storage Temperature Operating Temperature</td> <td>-40 ... +100 °C 0 ... +60 °C</td> </tr> </table>		Test Conditions	Vs = ± 15 V, Ta = 25°C Warm-up 20 minutes (min. 10 minutes recommended)		Gain	Transimpedance Accuracy	1 x 10 <sup>11</sup> V/A (>10 kΩ Load) ± 1%	Frequency Response	Lower Cut-Off Frequency Upper Cut-Off Frequency Rise- / Fall-Time Gain Flatness	DC 200 Hz (- 3 dB) 2 ms (10% - 90%) ± 0.1 dB	Input	Equ. Input Noise Current Equ. Input Noise Voltage Input Bias Current Input Bias Current Drift Offset Current Compensation Max. Input Current Input Offset Voltage DC Input Impedance	1.5 fA/√Hz (@ 10 Hz) 90 nV/√Hz (@ 10 Hz) 20 fA typ. / 30 fA max. Factor 2 / 10 K ± 30 pA, Adjustable by Offset-Trimpot ± 100 pA (Linear Amplification) < 0.5 mV 1 kΩ (Virtual) // 5 pF	Output	Output Voltage Output Impedance Max. Output Current	± 10 V (>10 kΩ Load) 50 Ω (Terminate with >10 kΩ for best Performance) ± 10 mA (Linear Amplification)	Power Supply	Supply Voltage Supply Current	± 15 V ± 15 mA typ.	Case	Weight Material	210 gr. (0.5 lbs) AlMg4.5Mn, nickel-plated	Temperature Range	Storage Temperature Operating Temperature	-40 ... +100 °C 0 ... +60 °C
Test Conditions	Vs = ± 15 V, Ta = 25°C Warm-up 20 minutes (min. 10 minutes recommended)																									
Gain	Transimpedance Accuracy	1 x 10 <sup>11</sup> V/A (>10 kΩ Load) ± 1%																								
Frequency Response	Lower Cut-Off Frequency Upper Cut-Off Frequency Rise- / Fall-Time Gain Flatness	DC 200 Hz (- 3 dB) 2 ms (10% - 90%) ± 0.1 dB																								
Input	Equ. Input Noise Current Equ. Input Noise Voltage Input Bias Current Input Bias Current Drift Offset Current Compensation Max. Input Current Input Offset Voltage DC Input Impedance	1.5 fA/√Hz (@ 10 Hz) 90 nV/√Hz (@ 10 Hz) 20 fA typ. / 30 fA max. Factor 2 / 10 K ± 30 pA, Adjustable by Offset-Trimpot ± 100 pA (Linear Amplification) < 0.5 mV 1 kΩ (Virtual) // 5 pF																								
Output	Output Voltage Output Impedance Max. Output Current	± 10 V (>10 kΩ Load) 50 Ω (Terminate with >10 kΩ for best Performance) ± 10 mA (Linear Amplification)																								
Power Supply	Supply Voltage Supply Current	± 15 V ± 15 mA typ.																								
Case	Weight Material	210 gr. (0.5 lbs) AlMg4.5Mn, nickel-plated																								
Temperature Range	Storage Temperature Operating Temperature	-40 ... +100 °C 0 ... +60 °C																								

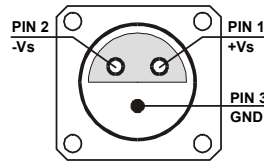
Ultra-Low-Noise Current Amplifier

Absolute Maximum Ratings

Input Voltage ± 10 V  
 Power Supply Voltage ± 22 V

Connectors

Input BNC  
 Output BNC  
 Power Supply LEMO Series 1S, 3-pin Fixed Socket  
 Pin 1: + 15V  
 Pin 2: - 15V  
 Pin 3: GND



Application Diagrams

Photo Detector Biasing in Photovoltaic Mode:  
 Use for Low Speed Applications and Minimum Dark Current.

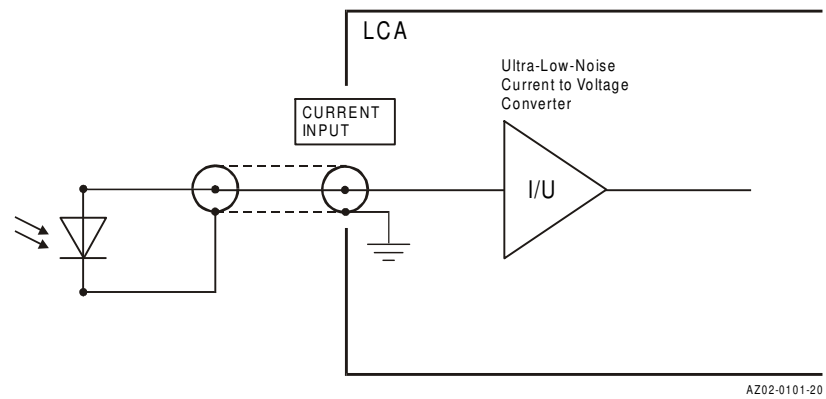
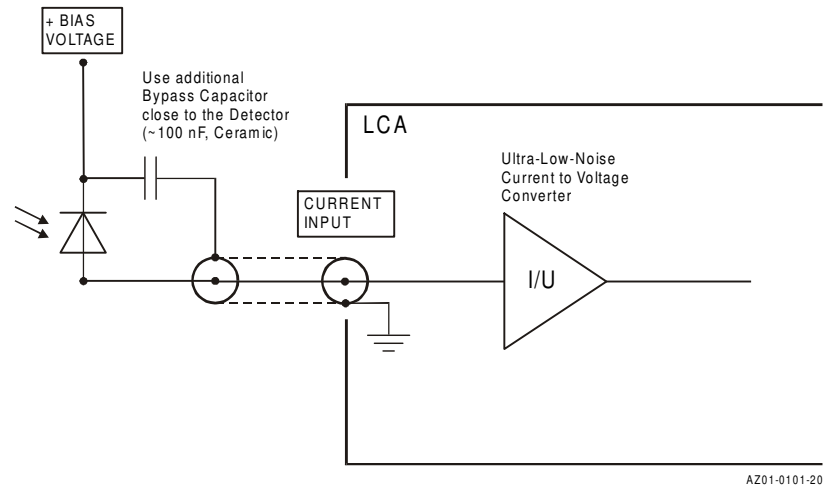
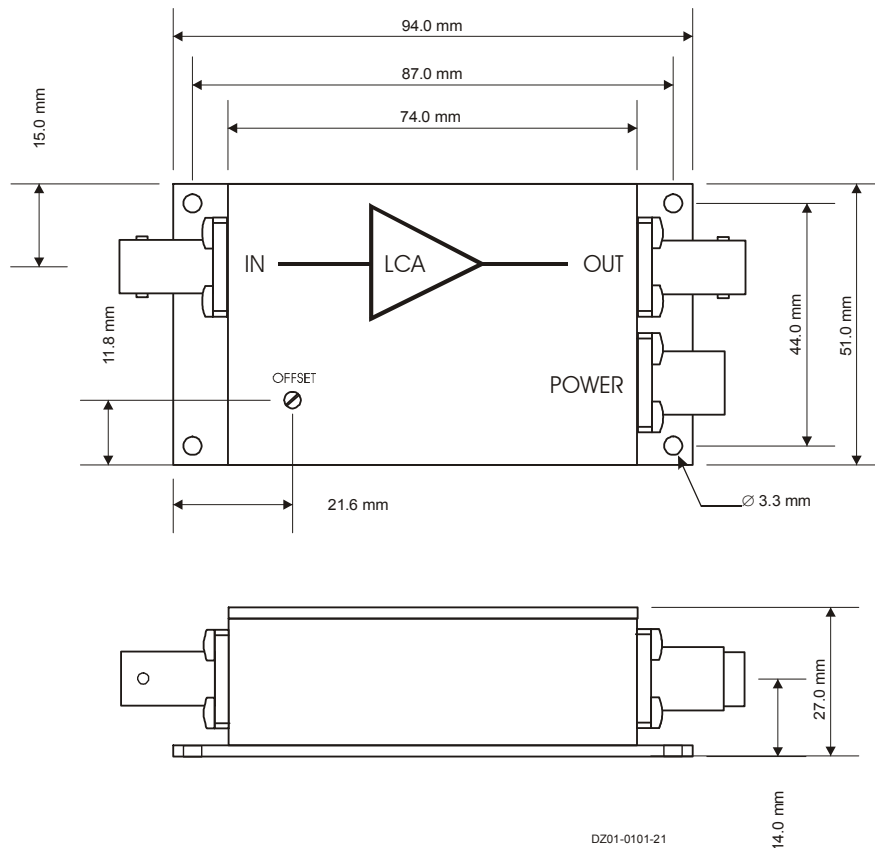


Photo Detector Biasing in Photoconductive Mode:  
 Use for Fast Applications and if More Dark Current is Tolerable.  
 Bias Voltage Decreases Detector Capacitance.



Ultra-Low-Noise Current Amplifier

Dimensions



FEMTO Messtechnik GmbH  
 Klosterstr. 64  
 10179 Berlin · Germany  
 Phone: +49 30 280 4711-0  
 Fax: +49 30 280 4711-11  
 Email: info@femto.de  
 www.femto.de

Specifications are subject to change without notice. Information provided herein is believed to be accurate and reliable. However, no responsibility is assumed by FEMTO Messtechnik GmbH for its use, nor for any infringement of patents or other rights of third parties which may result from its use. No license is granted by implication or otherwise under any patent or patent rights of FEMTO Messtechnik GmbH. Product names mentioned may also be trademarks used here for identification purposes only.

© by FEMTO Messtechnik GmbH · Printed in Germany