

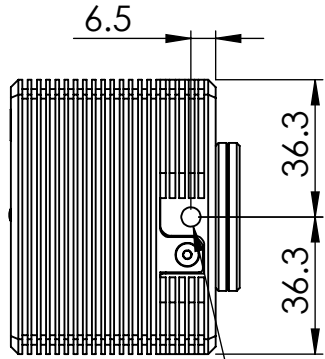
6 5 4 3 2 1

D

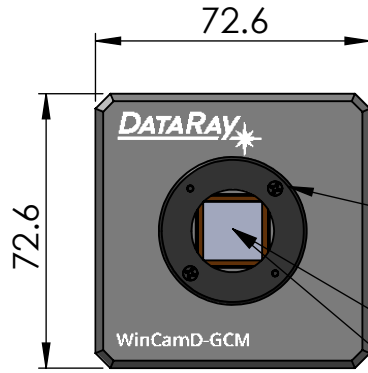
C

B

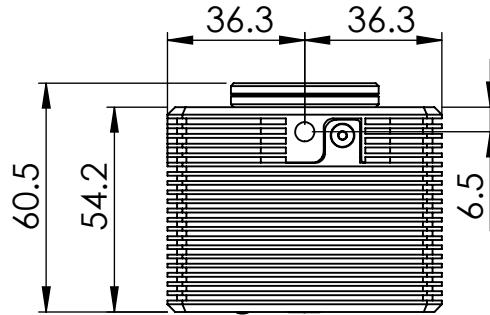
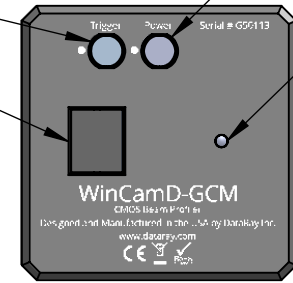
A



3 x 1/4"-20  
DEPTH 6.0mm



TRIGGER PORT  
ETHERNET PORT  
1"-32 C-MOUNT OR  
MAGNETIC MOUNT  
ACTIVE SENSOR AREA  
11.3mm x 11.3mm  
(1" OPTICAL FORMAT)  
CASE FRONT TO SENSOR PLANE: 8.4 mm



Magnetic Filter Attaches  
At Front and Back



UNLESS OTHERWISE SPECIFIED:

DIMENSIONS ARE IN MM  
TOLERANCES:  
LINEAR: ± 0.05  
ANGULAR: ± 0.05

MATERIAL CASES: ANODIZED  
6061-T6 ALUMINUM

FINISH  
ENG APPR.  
MFG APPR.

DO NOT SCALE DRAWING

COMMENTS:

	NAME	DATE
DRAWN	AVP	111423
CHECKED		
ENG APPR.		
MFG APPR.		

Q.A.



TITLE:  
GCM Outline & Mounting

SIZE	DWG. NO.	REV
A	GCM-O&M	02

1:2 WEIGHT: SHEET 1 OF 1

6 5 4 3 2 1