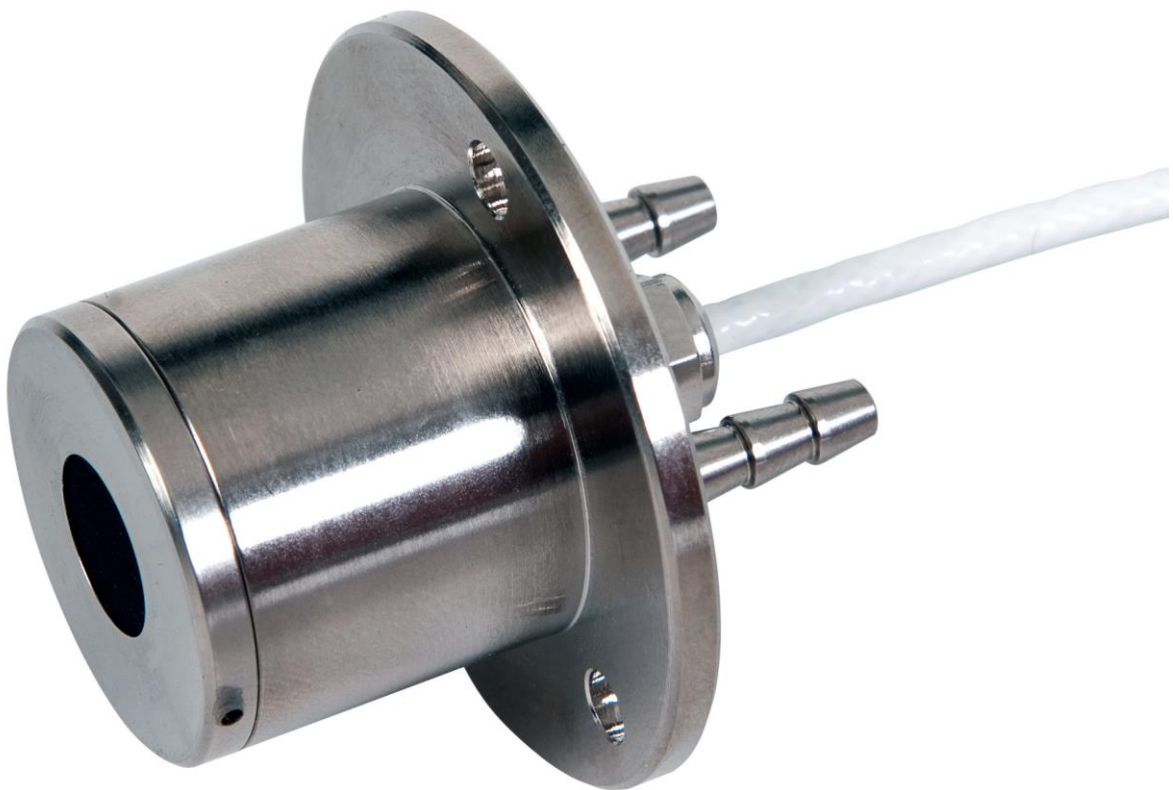


USER MANUAL **SBG01**

Water cooled heat flux sensor



Warning statements



Putting more than 12 Volt across the sensor wiring can lead to permanent damage to the sensor.



Do not use “open circuit detection” when measuring the sensor output.



Using sensors without water cooling may lead to permanent damage to the sensor.



When following standard operating practices, users should purchase their own copies of the standard. This manual offers general guidelines for use only.



Hukseflux performs traceable calibrations and is certified according to ISO 9001, but is not an ISO 17025 accredited calibration laboratory.

Contents

Warning statements	2
Contents	3
List of symbols	4
1 Introduction	5
1.1 Ordering SBG01	8
1.2 Included items	8
1.3 Quick instrument check	8
2 Instrument principle and theory	9
2.1 Detailed measurement equation	10
3 Specifications of SBG01	11
3.2 Dimensions of SBG01	16
4 Standards and recommended practices for use	18
4.1 Heat flux measurement in fire testing: ISO 14934	18
5 Installation of SBG01	20
5.1 Installation in fire testing	20
5.2 Electrical connection	21
5.3 Requirements for data acquisition / amplification	21
5.4 Cooling	22
5.5 Uncooled sensors	23
6 Making a dependable measurement	24
6.1 Uncertainty evaluation	24
6.2 Contributions to the uncertainty budget	25
7 Maintenance and trouble shooting	26
7.1 Recommended maintenance and quality assurance	26
7.2 Trouble shooting	27
7.3 Recoating / repainting of sensor surfaces	27
8 Appendices	29
8.1 Appendix on cable extension / replacement	29
8.2 Appendix on calibration hierarchy	30
8.3 Appendix on typical heat flux ranges	30
8.4 Appendix on typical SBG01 sensitivities	32
8.5 Appendix on sensor design: Gardon versus Schmidt-Boelter	32
8.6 EU declaration of conformity	33

List of symbols

Quantities

Heat flux
Voltage output
Sensitivity

Symbol

Φ
U
S

Unit

W/m²
V
V/(W/m²)

Subscripts

N/A

1 Introduction

SBG01 is a water cooled sensor that measures heat flux. It is mainly used to test reaction to fire and fire resistance. It is also used as a calibration reference standard for test equipment for example in flammability and smoke chamber tests. SBG01 complies with the requirements of the most common ASTM and ISO standard test methods.

SBG01 measures heat flux in the range of $(5 \text{ to } 200) \times 10^3 \text{ W/m}^2$. Equipped with a black absorber, heat flux sensors of this type are designed for measurement in an environment in which heat flux is dominated by radiation. Using an open detector, SBG01 is also sensitive to convective heat flux. This contribution is usually ignored. Application in environments with lower than $50 \times 10^3 \text{ W/m}^2$ irradiance levels or environments with significant heat transport to the sensor by convection is possible but requires a careful evaluation of the measurement uncertainty. SBG01's thermopile sensor generates an output voltage proportional to the incoming irradiance.

Using SBG01 is easy. It can be connected directly to commonly used data logging systems. The heat flux, Φ , in W/m^2 , is calculated by dividing the SBG01 output, a small voltage U , by the sensitivity S .

The measurement function of SBG01 is:

$$\Phi = U/S \quad \text{(Formula 0.1)}$$

The sensitivity is provided with SBG01 on its product certificate.

The sensor is water cooled. There are 6 models of SBG01; each with a different rated measurement range, calibration reference irradiance level, sensitivity and response time. Water cooling is usually provided by tap water.

There are several optional body designs.

The standard body is equipped with a flange. Common options are a smooth cylinder body without a flange (model -C) and threaded body (model -T).

Also a thermocouple type T or K can be fitted upon request.

SBG01 has a novel sensor design, which combines the benefits of foil technology of the traditional Gardon gauges with those of the thermopile technology of the traditional Schmidt-Boelter gauges.

SBG01 has several advantages:

- robust and serviceable water tubes
- scratch resistant absorber coating (slightly lowered surface)
- safe storage with a practical protection cap

Hukseflux provides a traceable calibration. The reference standard at Hukseflux is of secondary standard level. It has been calibrated by comparison to the primary standard of the **RISE Research Institutes of Sweden AB** (formerly known as Statens Provningsanstalt (SP)).

SBG01 sensors as supplied by Hukseflux are calibrated according to ISO 14934-3. Hukseflux is ISO 9001 certified, but not an accredited measurement laboratory according to ISO 17025.



Figure 0.1 SBG01. Standard cable length is 2 m



Figure 0.2 SBG01. Protecting the sensing surface is convenient with the practical protection cap



Figure 0.3 *Optional body design: SBG01-T showing its threaded body and optional type T thermocouple (red line)*

The recommended calibration interval of heat flux sensors is before and after use.

The uncertainty of the measurement with SBG should be determined case by case. It is a function of:

- heat flux sensor properties
- uncertainty of calibration and quality assurance of the local calibration reference standard
- verification of the stability of SBG sensors in day to day measurements, before and after use
- application-related uncertainties, for example caused by the unknown contribution of convection and the representativeness of the measurement location

The user should make his own uncertainty evaluation, see the appendix on this subject.

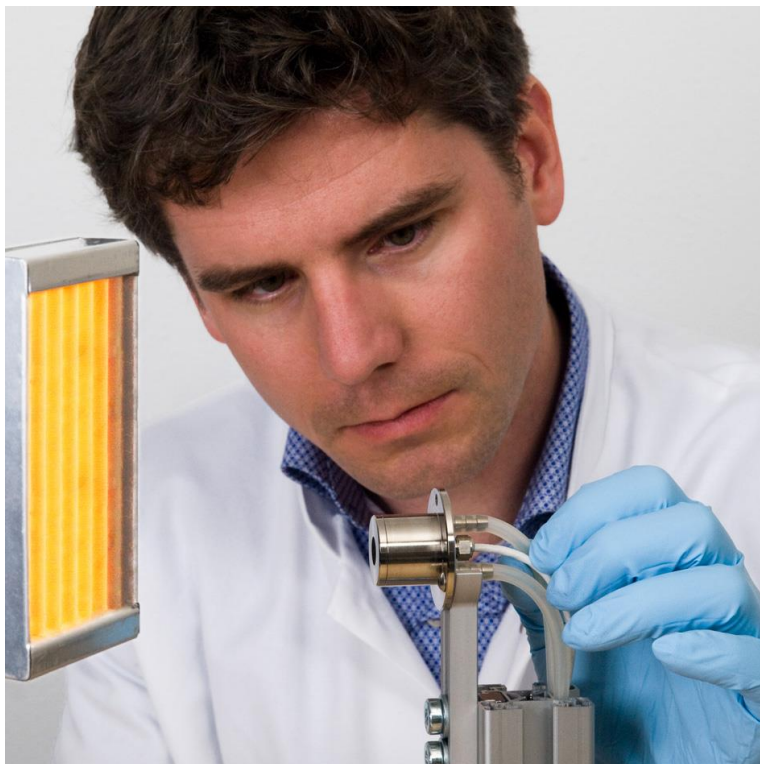


Figure 0.4 *SBG01 is the sensor of choice for fire testing*

See also:

- **GG01** Gardon gauge water-cooled high heat flux sensor for high heat flux measurements of 250 to 1000 x 10³ W/m²
- **HFS01** high heat flux sensor for concentrated solar and flames

1.1 Ordering SBG01

The standard configuration of SBG01 is with 2 metres cable.

Common options are:

- rated measurement range (5, 10, 20, 50, 100, 200) $\times 10^3$ W/m²
- longer cable (specify total cable length in m)
- high temperature cable rated temperature range to 400 °C (specify length in m)
- type T or type K thermocouple connected to instrument body (specify -TCT or -TCK), wire exiting next to signal cable. wire diameter 0.5×10^{-3} m
- smooth cylindrical body without flange (specify - C)
- threaded cylindrical body without flange (specify - T), thread 1-12 UNF

1.2 Included items

Arriving at the customer, the delivery should include:

- heat flux sensor SBG01
- cable of the length as ordered
- product certificate matching the instrument serial number
- options as ordered

1.3 Quick instrument check

A quick test of the instrument can be done by connecting it to a multimeter.

1 Check the electrical resistance of the sensor between the black [-] and white [+] wires. Use a multimeter at the 100 Ω range. Measure the sensor resistance first with one polarity, then reverse the polarity. Take the average value. The typical resistance of the wiring is 0.1 Ω /m. Typical resistance should be the nominal sensor resistance of 25 Ω for plus 1.5 Ω for the total resistance of two wires (back and forth) of each 2 m. Infinite resistance indicates a broken circuit; zero or a lower than 1 Ω resistance indicates a short circuit.

2. Remove the white removable protection cap from the sensor. Check if the sensor reacts to heat: put the multimeter at its most sensitive range of DC voltage measurement, typically the 100 $\times 10^{-3}$ VDC range or lower. Expose the sensor heat, for instance by putting a flame from a consumer type gas lighter at a distance of around 0.01 m. The signal should read $> 2 \times 10^{-3}$ V now. Do not expose for more than 10 s.

3. Inspect the sensor surface for any damage.

4. Check the sensor serial number against the certificate provided with the sensor.

2 Instrument principle and theory

The SBG heat flux sensor measures radiation received by a plane surface from a 180 ° field of view angle. This quantity, expressed in W/m^2 , is called irradiance, and informally also heat flux. SBG01 is designed to measure high heat fluxes, in the order of $5 \times 10^3 W/m^2$ and higher. The radiation spectrum of such sources typically extends from 300 to $3000 \times 10^{-9} m$. By definition a heat flux sensor should cover that spectral range with a spectral selectivity that is as “flat” as possible.

Using an open detector, SBG01 is also sensitive to convective heat flux. This contribution is usually ignored.

In an irradiance measurement by definition the response to “beam” radiation varies with the cosine of the angle of incidence; i.e. it should have full response when the radiation hits the sensor perpendicularly (normal to the surface, 0 ° angle of incidence), zero response when the radiation has 90 ° angle of incidence, and 50 % of full response at 60 ° angle of incidence.

A heat flux sensor should have a so-called “directional response” (older documents mention “cosine response”) that is as close as possible to the ideal cosine characteristic.

In order to attain the proper directional and spectral characteristics, a heat flux sensor’s main components are:

- a thermal sensor with black coating. It has a flat spectrum covering the 200 to $50000 \times 10^{-9} m$ range, and has a near-perfect directional response. The coating absorbs all radiation and, at the moment of absorption, converts it to heat. The heat flows through the internal thermopile sensor to the metal body. The thermopile sensor generates a voltage output signal that is proportional to the irradiance.
- A water cooled metal body. This body acts as a heat sink.



Figure 2.1 SBG01 showing its metal body, black coating and cable

SBG01 users typically assume that the measured heat flux is representative of the undisturbed irradiance at the location of the sensor. Users may also apply corrections based on scientific judgement.

Using SBG01 is easy. For readout the user only needs an accurate voltmeter that works in the millivolt range. To convert the measured voltage, U , to a heat flux Φ , the voltage must be divided by the sensitivity S , a constant that is supplied with each individual sensor.

2.1 Detailed measurement equation

In more detail, the measurement equation of SBG01 is

$$\Phi = U/S + \sigma \cdot (T + 273.15)^4 \quad (\text{Formula 2.1.1})$$

In which the first term represents the incoming irradiance, and the second term represents the irradiance emitted by the sensor. The constant σ is the Stefan-Boltzmann constant $5.67 \times 10^{-8} \text{ W}/(\text{m}^2 \cdot \text{K}^4)$.

In case the sensor temperature is of the order of $10 \text{ }^\circ\text{C}$, the second term is of the order of $0.45 \times 10^3 \text{ W}/\text{m}^2$, which is usually considered negligible, so that the measurement equation 2.1.1 is abbreviated to:

$$\Phi = U/S \quad (\text{Formula 0.1})$$

Measuring with heat flux sensors, errors may be caused by differences between calibration reference conditions and the conditions during use. The user should analyse his own experiment and make his own uncertainty evaluation. Comments on the most common error sources can be found in the chapter about uncertainty evaluation.

3 Specifications of SBG01

SBG01 measures the heat flux density through the surface of the sensor. This quantity, expressed in W/m^2 , is called heat flux. SBG01 is rated for use in environments in which the heat flux is dominated by radiation at heat flux levels $> 5 \times 10^3 W/m^2$. Working completely passive, using a thermopile sensor, SBG01 generates a small output voltage proportional to this flux. Using an open detector, SBG01 is also sensitive to convective heat flux. This contribution is usually ignored. The sensor must be used at a heat flux level as close as possible to its rated measurement range which is equal to its calibration reference condition. It must be water-cooled or exposed only for a limited time interval. SBG01 can only be used in combination with a suitable measurement system. In testing, the sensor must be calibrated and used in accordance with the recommended practices of ISO and ASTM.

Table 3.1 Specifications of SBG01 (continued on next pages)

SBG01 SPECIFICATIONS	
Sensor type	water cooled heat flux sensor
Sensor type according to ISO 14934	total heat flux sensor
Measurand	heat flux
Measurand in SI units	irradiance in W/m^2
Heat flux sensor	thermopile
Sensor technology	both Gardon and Schmidt-Boelter
Sensing area diameter	$10 \times 10^{-3} m$
Rated measurement ranges	$(5, 10, 20, 50, 100 \text{ and } 200) \times 10^3 W/m^2$
Limiting measurement range	150 % of rated measurement range
Output signal	DC voltage
Sensitivity range	depending on rated measurement range: $0.1 \text{ to } 0.7 \times 10^{-6} V/(W/m^2)$
Output voltage signal range	$> 5 \times 10^{-3} V$ at rated measurement range
Measurement function / required programming	$\Phi = U/S$
Optional measurement function / required programming for correction of sensitivity as a function of instrument body temperature	$\Phi = U/S + \sigma \cdot (T + 273.15)^4$
Required readout	1 x differential voltage channel or 1 single ended voltage channel, input resistance $> 10^6 \Omega$
Rated operating temperature range	-30 to +80 °C (sensor body and cable gland temperature) -60 to +200 °C (cable temperature)
Rated operating pressure range	Sea level ambient air pressure, not suitable for use in vacuum
Temperature dependence	$< 0.1 \% / ^\circ C$
Non-linearity	$< 2 \%$ of rated measurement range
Black coating emissivity	> 0.95
Spectral range	0 to $50 \times 10^{-6} m$
Full field of view angle	180 °
Response times (63 %) at different rated measurement ranges	
5, $10 \times 10^3 W/m^2$	$< 450 \times 10^{-3} s$
20, $50 \times 10^3 W/m^2$	$< 250 \times 10^{-3} s$
100, $200 \times 10^3 W/m^2$	$< 200 \times 10^{-3} s$
Sensor resistance	25 Ω (nominal)
Required sensor power	zero (passive sensor)

Table 3.1 Specifications of SBG01 (started on previous page, continued on the next page)

Rated operating relative humidity range	0 to 100 % (non condensing)
Standard cable length	2 m (see options)
Cable material type	PTFE
Cable diameter	3×10^{-3} m
IP protection class	IP10
Sensor marking	serial number engraved on sensor body
Gross weight including 3 m cable and protection cap	approx. 0.5 kg
Net weight including 3 m cable and protection cap	approx. 0.5 kg
WATER COOLING	
Typical cooling method	tap water at 3 bar supplied through and drained through a silicone hose
Alternative cooling method	actively cooling water circulator with water pump instead of tap water
Rated exposure time interval	indefinite when water cooled
Rated cooling water operating pressure range	0 to 3 bar
Rated cooling water flow	> 10 l/hr (0.003 l/s), preferably 30 l/h (0.01 l/s)
Rated cooling water temperature range	10 to 30 ° C
Use without water cooling	SBG01 may be used uncooled at low heat flux levels or for short time intervals. See the chapter on uncooled sensors in this manual for directions
Weight of metal sensor body	0.11 kg
Metal heat capacity	400 J/(kg·K)
Heat capacity of sensor body	44 J/K
Recommended tubing for cooling water supply	through 6×10^{-3} m outer diameter / 3×10^{-3} m inner diameter silicone hose. Outer diameter of metal tubes on sensor body: 4.2×10^{-3} m
Recommended coupling for tubing	type MCD1702 BODY 1/8 inch NPT+MCD4202 INSERT see for such an item the colder catalogue via www.cpcworldwide.com

Table 3.1 Specifications of SBG01 (started on previous pages, continued on the next pages)

USE IN TESTING	
Standards governing use of the instrument	ISO 14934-1: Reaction-to-Fire Tests - use of heat flux meters general principles
	ISO 14934-4: Reaction-to-Fire Tests - guidance on use of heat flux meters
Suitable for use in test	ISO 5657: Reaction to fire tests - Ignitability of building products using a radiant heat source
	ISO 5658: Reaction to fire tests - Spread of flame
	ISO 5660: Reaction to fire tests - Heat release, smoke production and mass loss rate
	ISO 17554 Reaction to fire tests -- Mass loss measurement
	ISO 9705:1993 Fire tests — Full-scale room test for surface products
	ISO 17431:2006 Fire tests - Reduced-scale model box test
	ISO 17385: Reaction to fire test for façades -part 1 and 3
	ISO 3008: Fire resistance tests - door and shutter assemblies
	ISO 5659: Plastics — Smoke generation — Part 2: Determination of optical density by a single-chamber test
	ISO 14696: Reaction-to-fire tests — Determination of fire and thermal parameters of materials, products and assemblies using an intermediate-scale calorimeter (ICAL)
	ISO 13785: Reaction-to-fire tests for façades- part 1 intermediate scale and part 2 large scale
	ISO 9239: Reaction to fire tests for floorings — Part 1: Determination of the burning behaviour using a radiant heat source
FAA FAR PART 25 APPENDIX F PART 3: Test Method to Determine Flame Penetration Resistance of Cargo Compartment Liners	
Not suitable for use in test	ASTM E 285: oxyacetylene ablation testing (heat flux is in the order of $800 \times 10^3 \text{ W/m}^2$ which is beyond the rated measurement range)

Table 3.1 Specifications of SBG01 (started on previous pages, continued on the next page)

INSTALLATION AND USE	
Installation	see recommendations in this manual
Cable extension	see chapter on cable extension or order sensors with longer cable
Recoating	ISO 14934-4 paragraph 9.1 allows repainting of sensors, according to manufacturer recommendations. After repainting, the sensors must be re-calibrated.
CALIBRATION	
Calibration traceability	to ITS-90
Standard governing calibration	ISO 14934-3: Reaction-to-Fire Tests - calibration of heat flux meters secondary calibration
Product certificate	included (showing calibration result and traceability)
Calibration method	SBGC secondary calibration method according to ISO 14934-3. The Hukseflux SBGC method follows the recommended practice of ISO 14934-3, however we calibrate at one heat flux level only. Calibration relies on a comparison to a secondary standard heat flux sensor under a radiant heat source as described in paragraph 5.1. The calibration reference has been characterised in the range of 0 to $75 \times 10^3 \text{ W/m}^2$. Calibration at higher heat flux levels is done at $100 \times 10^3 \text{ W/m}^2$, using linear extrapolation of the sensitivity of the calibration reference.
Calibration laboratory accreditation	not accredited
Calibration laboratory management system certification	ISO 9001
Calibration hierarchy	From SI through international standards and through an internal mathematical procedure
Calibration uncertainty	$< \pm 6.5 \% (k = 2)$
Recommended recalibration interval of working standards	fire tests may specify the interval of calibration of the working standard heat flux sensor. We recommend to calibrate before and after every test.
Recommended maintenance of calibration reference standards	we recommend that accredited test laboratories follow the procedures described in ISO 14934-3 Annex D. They must have 3 calibration reference sensors (secondary standards, calibrated externally against a primary standard according to ISO 14934-2), used to calibrate the working standards. One of these should be designated as "principal". Clause D.14 recommends that every year one of the 3 instruments is recalibrated against the (external) primary standard. Calibration against a primary standard may be done at RISE (Sweden), NIST (USA) or LNE (France)
Calibration reference conditions	cooling water temperature $< 25 \text{ }^\circ\text{C}$, heat flux at working range $\pm 20 \%$
Validity of calibration	based on experience the instrument sensitivity will not change during storage

Table 3.1 Specifications of HFP01 (started on previous 4 pages)

MEASUREMENT ACCURACY	
Uncertainty of the measurement	statements about the overall measurement uncertainty can only be made on an individual basis. see the chapter on uncertainty evaluation.
standard governing uncertainty evaluation in tests	ISO 29473 Fire test - Uncertainty of measurements in fire tests
VERSIONS / OPTIONS	
Version: rated measurement range	5, 10, 20, 50, 100, 200 x 10 ³ W/m ²
Version: longer cable	specify length in m
Order code standard version	SBG01/rated measurement range/ cable length
Option	high temperature cable rated temperature range to 400 °C (specify length in m)
Option	type T or type K thermocouple connected to instrument body (specify -TCT or - TCK), wire exiting next to signal cable. Wire diameter 0.5 x 10 ⁻³ m
Option	smooth cylindrical body without flange (specify - C)
Option	threaded cylindrical body without flange (specify - T), thread 1-12 UNF
ACCESSORIES	
Spare part	removable protection cap SBG01
Accessory	handheld read-out unit LI19 programmed LI19 handheld read-out unit / datalogger, two spare batteries, one USB cable, software and a transport case

3.2 Dimensions of SGB01

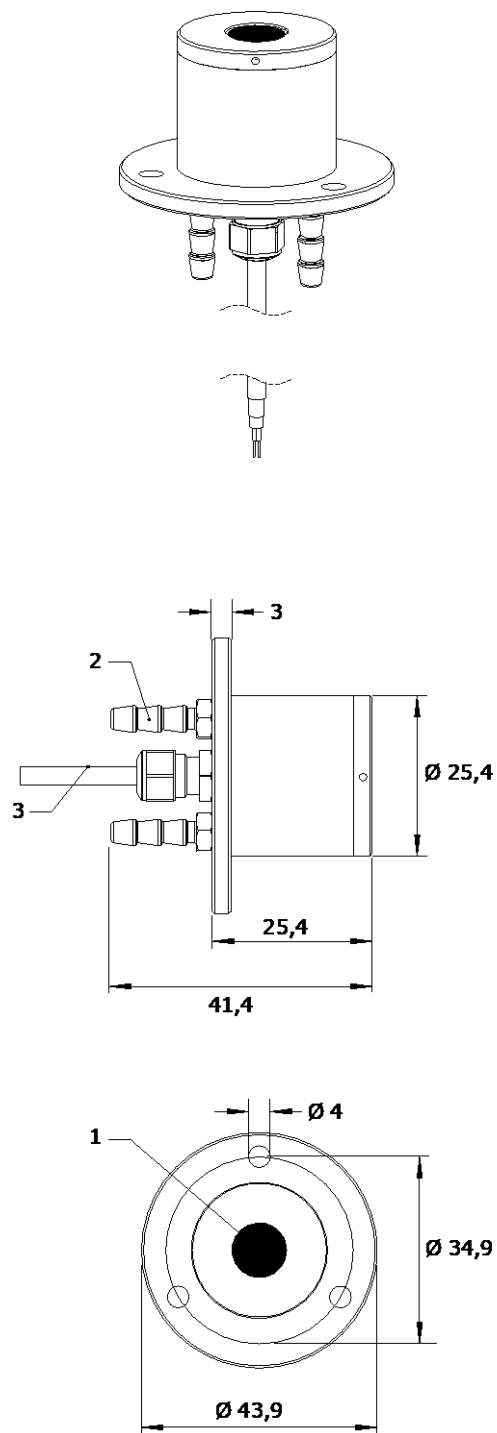


Figure 3.2.1 SGB01 heat flux sensor with a smooth body and flange, dimensions in $\times 10^{-3}$ m.
 From top to bottom: 3D view, side view, front view
 (1) thermopile sensor with black coating. diameter sensing area: 10×10^{-3} m
 (2) water cooling tube. outer diameter tubes: 4.2×10^{-3} m
 (3) PTFE cable. standard cable length is 2 m.

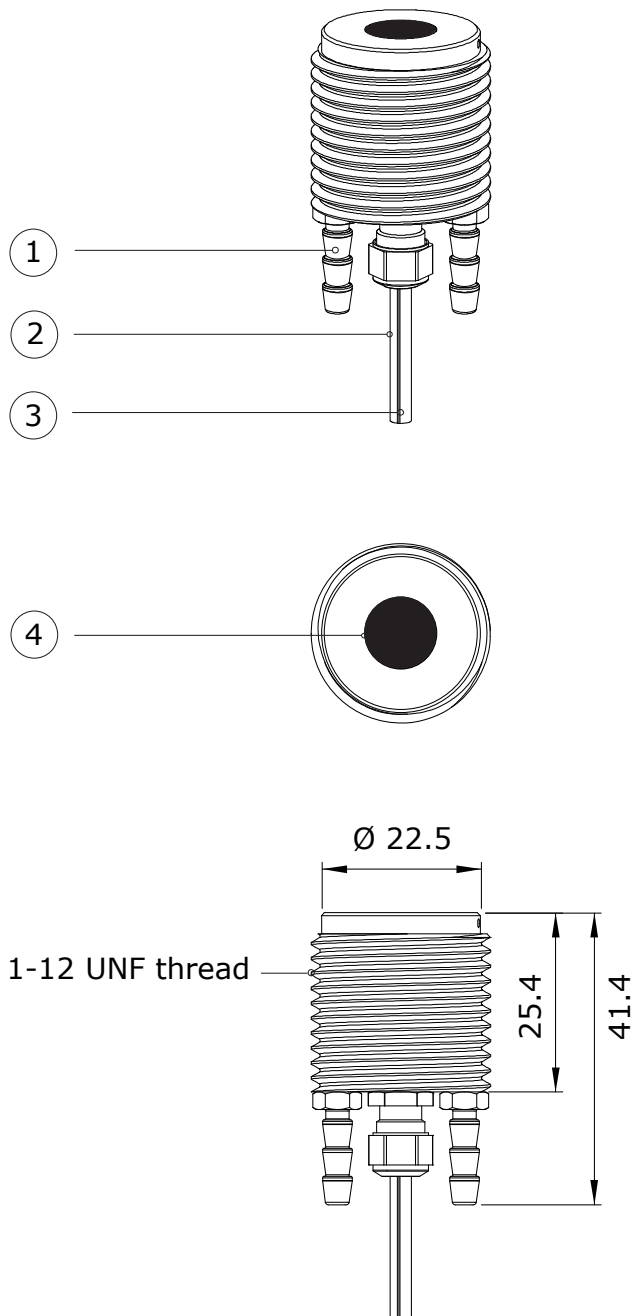


Figure 3.2.2 SBG01-T with threaded cylindrical body without flange, dimensions in $\times 10^{-3}$ m.
 From top to bottom: 3D view, front view, side view. Thermopile sensor with black coating
 (1) water cooling tube. outer diameter tube: 4.2×10^{-3} m
 (2) PTFE cable. standard cable length is 2 m.
 (3) optional type T thermocouple cable
 (4) thermopile sensor with black coating

4 Standards and recommended practices for use

SBG01 should be used in accordance with the recommended practices of ISO and ASTM.

4.1 Heat flux measurement in fire testing: ISO 14934

Calibration and use of heat flux sensors (officially "heat flux meters") such as SBG01 is subject to standardised practices according to ISO 14934 "Reaction-to-Fire tests - calibration of heat flux meters". The same procedures will be adopted by ASTM. In case the user performs accredited testing or works in an accredited organisation, the user must comply with these standards. The ISO 14934 standard has 4 parts. We recommend users to purchase the latest version of the standard.

Table 4.1.1 Standards with recommendations for instrument use in fire testing

STANDARDS FOR HEAT FLUX SENSOR USE IN FIRE TESTING	
ISO STANDARD	EQUIVALENT ASTM STANDARD
ISO 14934 "Reaction-to-Fire tests - calibration of heat flux meters" Part 1: general principle Part 2: primary calibration methods Part 3: secondary calibration methods Part 4: guidance on use of heat flux meters	No equivalent ASTM standard

The most important requirements of the standard are:

- to have 3 local "secondary standard" calibration reference standards (i.e. sensors calibrated against a primary standard according to ISO14934-2) for calibration of the "working standards" (i.e. the instruments used for day to day work for calibration of test equipment). Calibration according to ISO 14934-2 may be done at NIST (USA), RISE (Sweden) or LNE (France). Of the 3 calibration reference instruments, 2 instruments must be kept unused until unexpected results appear or until the first calibration reference standard is sent away for recalibration. A typical expanded uncertainty of the sensitivity at SP is in the order of 2 to 3 % ($k = 2$) in a range from 5 to $75 \times 10^3 \text{ W/m}^2$.
- to calibrate every 2 years one of the reference standards against a primary standard. After calibration this instrument is used to verify the uncertainty of the other 2 calibration reference standards. A single reference standard is usually calibrated at multiple heat flux levels. It can be used as a reference in the same heat flux range, and by extrapolation also at higher levels.
- to use working standards only at an irradiance level close to its calibration reference condition.

- to compare working standards to a local reference standard before every test and preferably after every test, following the method specified in ISO 14934-3. The comparison requires a local irradiance source, for example a cone calorimeter.

5 Installation of SBG01

5.1 Installation in fire testing

Table 5.1.1 *Recommendations for installation of heat flux sensors in fire testing*

Standard operating practices	If the test is carried out in accordance to a standard: look for recommendations in the standard.
Orientation	The sensor will work in any orientation.
Protection cap	Use the cap during transport and storage. Remove the cap when installing and during measurements.
Water cooling	Usually tap water is used, supplied and led out through silicone hoses. See the chapter on cooling.
Electrical connection	The sensor generates a small voltage output signal. No power supply is required. Connect the 2 conductors to a data acquisition system. See the chapter on electrical connection.
Signal amplification	See the paragraph on electrical connection.
Mechanical mounting	Use the 3 holes in the flange for sensor mounting. Make sure that the object that is used for mounting the flange remains relatively cool. Heat should not conduct easily through the flange to the sensor body. Usually the cables are provided with an additional strain relief.
Added temperature sensors	To verify the functionality of the water cooling, you may connect a temperature sensor to the heat flux sensor body.
Heat shielding	Shield the body sensor and cable as much as possible from radiated and convective heat.

5.2 Electrical connection

A heat flux sensor should be connected to a measurement system, typically a so-called datalogger. SBG01 is a passive sensor that does not need any power.

Cables may act as a source of distortion, by picking up capacitive noise. We recommend keeping the distance between a datalogger or amplifier and the sensor as short as possible. For cable extension, see the appendix on this subject.

Table 5.2.1 *The electrical connection of SBG01*

WIRE		MEASUREMENT SYSTEM	
White	signal [+]	voltage input [+]	
Black	signal [-]	voltage input [-] or ground	
Blank	shield	ground	

5.3 Requirements for data acquisition / amplification

The selection and programming of dataloggers is the responsibility of the user

Table 5.3.1 *Requirements for data acquisition and amplification equipment for SBG01 in the standard configuration*

Capability to measure small voltage signals	preferably: $< 5 \times 10^{-6}$ V uncertainty minimum requirement: 20×10^{-6} V uncertainty (valid for the entire expected temperature range of the acquisition / amplification equipment)
Capability for the data logger or the software	to store data, and to perform division by the sensitivity to calculate the heat flux. $\Phi = U/S$ (Formula 0.1)
Data acquisition input resistance	$> 1 \times 10^6 \Omega$
Open circuit detection (WARNING)	open-circuit detection should not be used, unless this is done separately from the normal measurement by more than 5 times the sensor response time and with a small current only. Thermopile sensors are sensitive to the current that is used during open circuit detection. The current will generate heat, which is measured and will appear as a temporary offset.

5.4 Cooling

For normal applications in fire research, the standard 3 bar pressure of tap water supply are sufficient for operating heat flux meters. In case of extremely high fluxes, which are not relevant to SBG01 (above $2500 \times 10^3 \text{ W/m}^2$), additional pressure may be necessary. As water has a very high heat capacity, for 1 inch ($25.4 \times 10^{-3} \text{ m}$) diameter sensors a water supply of 30 l/hr or 0.01 l/s is sufficient to carry away all the generated heat with a temperature rise of less than 10 °C, taking a safety factor of 4. An alternative possibility is to use a large vessel filled with water or coolers such as supplied by the Julabo company, such as model F12 refrigerated / heated circulator. The Julabo equipment is a closed circuit water cooler with a convective heat exchanger.



Figure 1.3.2 Example of an active water cooler with a pump: *Julabo F12*

5.5 Uncooled sensors

SBG01 may be used non-cooled (so not connected to the water supply). This can be considered if:

1. the exposure is so short that SBG01 does not significantly heat up; typically this requirement is fulfilled in case the time is less than 1 second
2. the flux is so low that SBG01 cannot significantly heat up; typically this requirement is fulfilled in case fluxes are $< 1 \times 10^3 \text{ W/m}^2$. In this case it is relevant to consider that the measurement will be inaccurate because of the non-linearity and emission of radiation by the sensor itself
3. there is a large additional heat sink (for instance a block of metal or melting stearin) attached to SBG01

In all cases we recommend:

4. to verify that temperature of the sensor body remains below 80 °C (the limit of materials is 150 °C, but the centre of the sensor gets hotter than the body)
5. to minimize the exposed surface area by adding heat shields and insulation
6. to calculate temperature rise before experimenting; the SBG01 weight is around 0.11 kg, so it has a heat capacity of 44 J/K (heat capacity of metal is around 400 J/(kg·K)).
7. add as much thermal mass as possible

Example calculation: at a heat flux of $100 \times 10^3 \text{ W/m}^2$ and having an exposed surface area of 0.0005 m^2 , the incoming energy is 50 W, which results in 1.2 K/s temperature rise. Starting at 20 °C sensor body temperature, without cooling a measurement time interval of 50 s is feasible. The sensor body will then reach 80 °C.

6 Making a dependable measurement

6.1 Uncertainty evaluation

The measurement uncertainty is a function of:

- calibration uncertainty
- differences between reference conditions during calibration and measurement conditions, for example uncertainty caused by non-linearity
- damage during sensor employment
- application errors: the measurement conditions and environment in relation to the sensor properties, the influence of the sensor on the measurand, the representativeness of the measurement location
- convective heat transport

It is not possible to give one figure for heat flux sensor measurement uncertainty. Statements about the overall measurement uncertainty can only be made on an individual basis, taking all these factors into account.

Guidelines for uncertainty evaluation:

- 1) The formal evaluation of uncertainty should be performed in accordance with ISO 98-3 Guide to the Expression of Uncertainty in Measurement, GUM.
- 2) Uncertainties are entered in measurement equation (equation is usually Formula 0.1: $\Phi = U/S$), either as an uncertainty in E (non-representativeness, resistance error and deflection error) in U (voltage readout errors) or in S (non-stability, temperature dependence, calibration uncertainty).
- 3) In case of special measurement conditions, typical specification values are chosen. These should for instance account for environmental conditions (working temperature range).
- 4) Among the various sources of uncertainty, some are "correlated"; i.e. present during the entire measurement process, and not cancelling or converging to zero when averaged over time; the off-diagonal elements of the covariance matrix are not zero. Paragraph 5.2 of GUM.
- 5) Among the various sources of uncertainty, some are "uncorrelated"; cancelling or converging to zero when averaged over time; the off-diagonal elements of the covariance matrix are zero. Paragraph 5.1 of GUM.

6.2 Contributions to the uncertainty budget

6.2.1 Calibration uncertainty at Hukseflux

SBG01's factory calibration uncertainty under reference conditions is $\pm 6.5\%$ with a coverage factor $k = 2$.

As a user of SBG01 you may attain a similar uncertainty when calibrating against your local calibration reference standard.

6.2.2 Uncertainty caused by non-linearity

The SBG01 is calibrated at its full measurement range, however with a minimum of $5 \times 10^3 \text{ W/m}^2$ and a maximum at $100 \times 10^3 \text{ W/m}^2$. When measuring at a fraction of the full range, the sensor output ideally varies linearly with the heat flux. The deviation from this ideal behaviour is captured in the so-called non-linearity. The non-linearity is expressed as a percentage of the measurement range. Non-linearity related uncertainty can be quite large, which is why we recommend to employ sensors measuring close to their full measurement range.

The non-linearity specification is $\pm 2\%$ of the measurement range.

For the model SBG01-200 with a measurement range of $200 \times 10^3 \text{ W/m}^2$ model, the $\pm 2\%$ contributes $4 \times 10^3 \text{ W/m}^2$ to the uncertainty budget. When measuring with the same sensor at $20 \times 10^3 \text{ W/m}^2$, this is an uncertainty of $\pm 20\%$, which is quite large compared to the calibration uncertainty of 6.5% . An SBG01 model SBG-20 has only its calibration uncertainty and 0% due to non-linearity at the same heat flux level of $20 \times 10^3 \text{ W/m}^2$.

6.2.3 Uncertainty caused by convection

The SBG01 sensor is not shielded. Convective heat transport, typically by hot gasses, may act as a source of measurement error. To estimate the associated uncertainty, the user may design experiments to vary local heat transfer.

7 Maintenance and trouble shooting

7.1 Recommended maintenance and quality assurance

SBG01 is typically located in hostile environments in which the sensor is under constant threat of being damaged. Unreliable measurement results are detected by very frequent recalibration, by visual inspection of the sensor and by scientific judgement, for example by looking for unreasonably large or small measured values. Preferably the measurement is done by multiple sensors, which makes it possible to check against other measurements.

Table 7.1.1 *Recommended maintenance of SBG01*

MINIMUM RECOMMENDED HEAT FLUX SENSOR MAINTENANCE			
	INTERVAL	SUBJECT	ACTION
1	before and after every test	recalibration	recalibrate against a local calibration reference
2	before and after every test	inspection	inspect sensor coating, cable quality, inspect mounting, inspect the water supply tubing
3	after every test	data review	judge the feasibility of the measurement data compare to measurements with other sensors, typically heat flux and temperature measurements
4	after every test	lifetime assessment	judge if the instrument will be reliable for another test

7.2 Trouble shooting

Table 7.2.1 *Trouble shooting for SBG01*

General	<p>Inspect the sensor for any damage.</p> <p>Inspect if the wires are properly attached to the data logger.</p> <p>Check the condition of the cable.</p> <p>Check the datalogger program in particular if the right sensitivity is entered.</p> <p>Check the electrical resistance of the sensor between the black [-] and white [+] wires. Use a multimeter at the 100 Ω range. Measure the sensor resistance first with one polarity, then reverse the polarity. Take the average value. The typical resistance of the wiring is 0.1 Ω/m. Typical resistance should be the nominal sensor resistance of 25 Ω for plus 1.5 Ω for the total resistance of two wires (back and forth) of each 2 m. Infinite resistance indicates a broken circuit; zero or a lower than 1 Ω resistance indicates a short circuit.</p>
The sensor does not give any signal	<p>Remove the white cap from the sensor. Check if the sensor reacts to heat: put the multimeter at its most sensitive range of DC voltage measurement, typically the 100 x 10⁻³ VDC range or lower. Expose the sensor heat, for instance by putting a flame from a consumer type gas lighter at a distance of around 0.01 m. The signal should read > 2 x 10⁻³ V now. Do not expose for more than 10 s.</p> <p>Check the data acquisition by replacing the sensor with a spare unit.</p>
The sensor signal is unrealistically high or low	<p>Check the cable condition looking for cable breaks.</p> <p>Check the data acquisition by applying a 1 x 10⁻⁶ V source to it in the 1 x 10⁻⁶ V range. Look at the measurement result. Check if it is as expected.</p> <p>Check the data acquisition by short circuiting the data acquisition input with a 10 Ω resistor. Look at the output. Check if the output is close to 0 W/m².</p>
The sensor signal shows unexpected variations	<p>Check the presence of strong sources of electromagnetic radiation (radar, radio).</p> <p>Check the condition and connection of the shield.</p> <p>Check the condition of the sensor cable.</p> <p>Check if the cable is not moving during the measurement.</p>

7.3 Recoating / repainting of sensor surfaces

ISO 14934-4 paragraph 9.1 allows repainting of sensors, according to manufacturer recommendations. Hukseflux recommendations are:

Repainting is preferably done by the manufacturer. Do-it-yourself repainting is possible but if that is done all product warranties are cancelled.

Judge by visual inspection if the thermopile sensor is still well attached to the metal sensor body. If not, the sensor is beyond repair. Verify sensor functionality. This can also be done with a non-coated sensor (see the chapter of the quick sensor test). The thermopile is then visible through its orange coloured plastic cover.

Purchase a matt (not glossy) black paint which is temperature resistant up to 600 °C. Silicone based black paints are a good choice. Typically aerosol spray cans are most easy to use, but such paints can also be used purchased in cans. In case a solvent is needed: typically acetone is a good solvent for these paints.

Surface preparation: In case the existing sensor surface coating has small scratches but is otherwise in good condition, do not clean, but apply new paint directly to the existing paint. In case of heavy damage to sensor surface coatings: remove the existing coating,

clean with acetone or ethanol. Lightly sand the orange plastic surface. Take care to leave the thermopile plastic cover intact.

Paint application: the sensor surface is located in a 0.1×10^{-3} m deep locally lower surface in the SBG01 body. Spray some paint in a small cup, use a pipette to apply the paint. In case a pipette is not available, use a small paint brush.

Recalibration: newly coated sensors should be recalibrated. We do not expect significant (> 5 %) changes relative to the original sensitivity.

8 Appendices

8.1 Appendix on cable extension / replacement

SBG01 is equipped with one cable. Keep the distance between data logger or amplifier and sensor as short as possible. Cables may act as a source of distortion by picking up capacitive noise. In an electrically “quiet” environment the SBG01 cable may be extended without problem to 100 meters. If done properly, the sensor signal, although small, will not significantly degrade because the sensor resistance is very low (which results in good immunity to external sources) and because there is no current flowing (so no resistive losses). Cable and connection specifications are summarised below.

Table 8.1.1 Preferred specifications for cable extension of SBG01

Cable	2-wire, shielded, with copper conductor
Extension sealing	make sure any connections are sealed against humidity ingress
Conductor resistance	< 0.1 Ω /m
Outer diameter	Typically 4×10^{-3} m
Length	cables should be kept as short as possible, in any case the total cable length should be less than 100 m
Outer mantle	with the proper temperature specifications. Typically the mantle and cladding are made of PTFE
Connection	either solder the new cable conductors and shield to those of the original sensor cable, and make a waterproof connection using heat-shrink tubing with hot-melt adhesive, or use gold plated waterproof connectors. Always connect the shield

8.2 Appendix on calibration hierarchy

SBG01 factory calibration is traceable from SI through international standards and through an internal mathematical procedure. The formal traceability of the generated heat flux is through a secondary standard calibration reference to the international temperature standard ITS90.

"The Hukseflux SBGC method follows the recommended practice of ISO 14934-3, however we calibrate at one heat flux level only. Calibration relies on a comparison to a secondary standard heat flux sensor under a radiant heat source as described in paragraph 5.1. The calibration reference has been characterised in the range of 0 to $75 \times 10^3 \text{ W/m}^2$. Calibration at higher heat flux levels is done at $100 \times 10^3 \text{ W/m}^2$, using linear extrapolation of the sensitivity of the calibration reference.

8.3 Appendix on typical heat flux ranges

Irradiance from blackbody covering 180° full field of view angle.

Table 8.3.1 *Irradiated heat flux versus equivalent blackbody source temperature calculated using Stefan Boltzmann's law.*

	$\times 10^3 \text{ W/m}^2$	equivalent blackbody temperature °C
1	0.4	10
2	20	500
3	60	750
4	150	1000
5	200	1100
6	266	1200

An indication of allowable heat flux levels for personnel and equipment can be found below.

Table 8.3.2 *Allowable heat flux levels in industrial environments*

		$\times 10^3 \text{ W/m}^2$	Btu/Hr Ft²
1	Equipment	9.5	3000
2	Human: Run	6.3	2000
3	Human: Walk	4.7	1500
4	Human: Work (static)	1.6	500

Table 8.3.3 Typical ranges of heat flux levels, from ISO 14934-4

	x 10³ W/m²	Comment
1	300	maximum level in a fully developed fire
2	200 to 100	incident heat flux on the wall in a developed fire enclosure
3	about 100	radiation from burning house
4	about 30	causing ignition of tree
5	20 to 10	causing ignition of timber
6	about 7 or 8	lowest level for causing ignition of a timber wall under a pilot flame
7	about 4	lowest level for causing a burn
8	about 2.5	highest level for people to endure
9	1.5	solar constant, maximum level of solar irradiance

Table 8.3.4 Typical ranges of heat flux levels, from ISO 5569

	x 10³ W/m²	Comment
1	300	jet fire peak
2	200	jet fire average and fully developed fire > 10 x 10 ⁶ W
3	140	premixed blow torches oxyacetylene
4	120 to 145	peak floor values in post flashover room fires
5	115 to 230	peak wall values in post flashover room fires
6	105 to 175	peak ceiling values for post flashover room fires
7	90 to 200	average wall values for post flashover room fire
8	70 to 150	average ceiling values for post flashover room fire
9	50 to 150	high ventilation fully developed room fire 5 % to 10 % O ₂ by volume
10	60 to 120	premixed gas burner
11	40 to 115	on facade 0,8 m to 3,3 m above window at lintel
12	40 to 70	low ventilation fully developed fire 1 % to 5 % O ₂ by volume
13	30 to 40	small (up to 250 mm high) gas diffusion flames
14	25 to 45	flux on wall from vertical wall burning
15	25	flux below vertical spreading wall flame
16	< 25	oxidative pyrolysis fire 5 % to 21 % O ₂ by volume
17	20 to 40	developing fire with 10 % to 15 % O ₂ by volume
18	20 to 25	heat flux at floor level in flashover fire with ceiling temperature > 600 °C
19	18 to 20	match flames
20	10 to 40	output from waste paper basket fires
21	12 to 22	critical ignition flux of many materials, e.g. polyethylene, polyacetal, PMMA, wood, hardboard

8.4 Appendix on typical SBG01 sensitivities

Table 8.4.1 Typical sensitivities per model, 2015 production figures, not to be used as reference

	MODEL SBG01 – [measurement range]	SENSITIVITY x 10⁻⁶ V/(W/m²)
1	SBG01-05 & 10	0.25 to 0.65
2	SBG01-20 & 50	0.28 to 0.42
3	SBG01-100 & 200	0.10 to 0.20

8.5 Appendix on sensor design: Gardon versus Schmidt-Boelter

The general name for the SBG01 type sensor is nowadays “total heat flux meter”: according to ISO 14934-1 paragraph 3 definition 3.17, and Annex A.2. The so-called Gardon and Schmidt-Boelter designs (named after their inventors) are also “total heat flux meters”. From a metrology point of view there is no difference. They all measure heat flux and are traceable to the same reference. The discussion what design to use is not relevant. New standards in fire testing will probably avoid using the Gardon or Schmidt-Boelter names.

SBG01 actually uses the multiple thermocouple thermopile of the Schmidt-Boelter model, and the foil technology of the Gardon model. SBG01 combines the best of both technologies and is manufactured according to both designs.

8.6 EU declaration of conformity



We, Hukseflux Thermal Sensors B.V.
Delftechpark 31
2628 XJ Delft
The Netherlands

in accordance with the requirements of the following directive:

2014/30/EU The Electromagnetic Compatibility Directive

hereby declare under our sole responsibility that:

Product model: SBG01
Product type: Water cooled heat flux sensor

has been designed to comply and is in conformity with the relevant sections and applicable requirements of the following standards:

Emission: EN 61326-1: 2013
Immunity: EN 61326-1: 2013

A handwritten signature in blue ink, appearing to be 'Eric Hoeksema', written over a light blue grid background.

Eric HOEKSEMA
Director
Delft
March 01, 2016

