



DMP80 Series Handheld Dew Point and Temperature Probes

For spot-checking applications



Features

- Portable design optimized for industrial spot-checking and field calibration
- Dew point measurement accuracy up to ± 2 °C (± 3.6 °F) $T_{d/f}$
- Wide dew point measurement range
- Sensor purge improves long-term stability and chemical resistance
- Condensation-tolerant
- Compatible with Indigo80 handheld indicator, Indigo transmitters, and Insight PC software
- Calibration certificate included

Vaisala DRYCAP® Handheld Dew Point and Temperature Probes DMP80 Series have been designed for portable use, especially with the Indigo80 handheld indicator. The combination of DMP80 probe and Indigo80 is ideal for spot-checking and field calibration of installed Vaisala humidity instruments.

Reliable measurements with the Vaisala DRYCAP sensor

Vaisala DRYCAP sensor is robust against particulate contamination, water condensation, oil vapor, and most chemicals. The sensor tolerates condensation and recovers perfectly if exposed to liquid water. The sensor's performance is excellent also in dynamic and low dew point applications, thanks to its fast reaction time and stability.

The probes can be inserted directly into pressurized processes, and respond rapidly from ambient to process conditions. The DMP80 probes are suitable for direct process dew point measurement in a wide temperature and pressure range.

DMP80 series probes are delivered with standard factory calibration certificates, with accredited calibration as an option. The probes can therefore be used as a working standard in field calibration.

Sensor purge minimizes effects of contaminants

In environments with high concentrations of chemicals and cleaning agents, the sensor purge option helps to maintain measurement accuracy between calibration intervals.

Sensor purge involves heating the sensor briefly to remove chemicals that could lower measurement performance and cause drifting.

Robust design for handheld measurements

The design of the probe handle has been optimized for manual operation in versatile measurement environments. The IP67-classified probe handle offers excellent protection against moisture

and dust with the probe connection cable attached. The cable connection is also protected against mechanical stress by the robust design of the handle.

Flexible connectivity

DMP80 probes are optimized for portable spot-checking, field calibration, and data logging use with the Indigo80 handheld indicator. They can also be connected to Indigo transmitters. For easy-to-use access to device analytics and configuration, DMP80 probes can be connected to Vaisala Insight software for Windows®.

For more information, see www.vaisala.com/indigo and www.vaisala.com/insight.

Technical data

DMP80A measurement performance

Dew point

Sensor	DRYCAP® 180S
Measurement range	-40 ... +60 °C (-40 ...+140 °F) T _{d/f}
Accuracy	Up to ±2 °C (±3.6 °F) T _{d/f}
Response time 63 % [90 %]:	
From dry to wet	5 s [10 s]
From wet to dry	45 s [5 min]

Temperature

Measurement range	-10 ... +60 °C (+14 ...+140 °F) ¹⁾
Accuracy	±0.2 °C (±0.36 °F) at room temperature
Temperature sensor	Pt100 RTD Class F0.1 IEC 60751

Mixing ratio

Measurement range (typical)	0 ... 150 g/kg (0 ... 1050 gr/lbs)
Accuracy (typical)	±12 % of reading

Absolute humidity

Measurement range	0 ... 130 g/m ³
Accuracy (typical)	±10 % of reading

¹⁾ If sensor warming is enabled, temperature measurement is locked when humidity rises above 80 %RH and warming is switched on.

DMP80 series operating environment

Operating temperature range	-10 ... +60 °C (+14 ...+140 °F)
Storage temperature	-20 ... +60 °C (-4 ...+140 °F)
Operating pressure of probe head	0 ... 20 bar (absolute) (0 ... 290 psi (absolute))
Measurement environment	For air, nitrogen, hydrogen, argon, helium, and oxygen ¹⁾
Chemical tolerance	Temporary exposure during cleaning: <ul style="list-style-type: none"> • Deionized water • Isopropyl alcohol (70 %) • H₂O₂ (2000 ppm, non-condensing) • Acetone

IP rating of probe handle:	
With probe connection cable connected to the probe	IP67
Without cable	IP55

¹⁾ Consult Vaisala if other chemicals are present. Consider safety regulations with flammable gases.

DMP80 series inputs and outputs

Operating voltage	15 ... 30 V DC
Current consumption	10 mA typical, 500 mA max.
Digital output	RS-485, non-isolated

DMP80 series mechanical specifications

Connector type	M12 5-pin A-coded male
Weight	250 g (9 oz)
Mechanical connection options	G1/2" ISO 228/1 NPT1/2"

Materials

Probe handle	Polyamide (PA) and thermoplastic elastomer (TPE)
Probe shaft	Stainless steel (AISI 316L)
Filter	Porous stainless steel (AISI 316L) ¹⁾

¹⁾ Vaisala item code: HM47280SP

DMP80B measurement performance

Dew point

Sensor	DRYCAP® 180M
Measurement range	-70 ... +20 °C (-76 ...+68 °F) T _{d/f}
Accuracy	Up to ±2 °C (±3.6 °F) T _{d/f}
Response time 63 % [90 %]:	
From dry to wet	5 s [15 s]
From wet to dry	45 s [8 min]

Temperature

Measurement range	-10 ... +60 °C (+14 ...+140 °F)
Accuracy	±0.2 °C (±0.36 °F) at room temperature
Temperature sensor	Pt100 RTD Class F0.1 IEC 60751

Relative humidity

Measurement range	0...70 %RH
Accuracy (RH <10 %RH, at +20 °C)	±0.004 %RH + 20 % of reading

Concentration by volume (ppm)

Measurement range (typical)	10 ... 2500 ppm
Accuracy (at + 20 °C, 1 bar)	1 ppm + 20 % of reading

DMP80 series output parameters

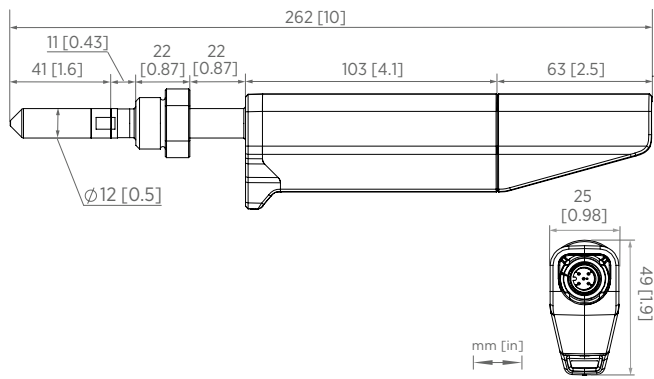
Absolute humidity (g/m ³)	Relative humidity (%RH)
Absolute humidity at NTP (g/m ³)	Relative humidity (dew/frost) (%RH)
Dew point temperature (°C)	Temperature (°C)
Dew/frost point temperature (°C)	Water concentration (ppmv)
Dew/frost point temperature at 1 atm (°C)	Water concentration (wet basis) (vol-%)
Dew point temperature at 1 atm (°C)	Water mass fraction (ppm _w)
Dew point temperature difference (°C)	Water vapor pressure (hPa)
Enthalpy (kJ/kg)	Water vapor saturation pressure (hPa)
Mixing ratio (g/kg)	

DMP80 series compliance

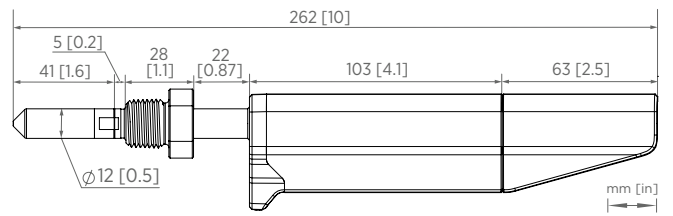
EU directives and regulations	EMC Directive (2014/30/EU) RoHS Directive (2011/65/EU) amended by 2015/863
EMC compatibility	EN 61326-1, industrial environment
Compliance marks	CE, China RoHS, RCM, UKCA

DMP80 series spare parts and accessories

Probe connection cable (M12-M12), 1.5 m (4.11 ft)	272075SP
Flat cable for probes (M12-M12), 1.0 m (3.4 ft)	CBL210493SP
Indigo USB adapter	USB2
Sintered stainless steel filter	HM47280SP
Sampling cell with quick connector and leak screw	DSC74
Sampling cell with female connectors, inlet G3/8", outlet G1/4" ISO	DMT242SC
Two-pressure sampling cell	DSC74B
Two-pressure sampling cell with coil	DSC74C



Dimensions of DMP80 series probes with G1/2" thread, side and bottom view



Dimensions of DMP80 series probes with NPT1/2" thread